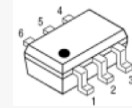


## Features

- 13 dB Gain at 2 GHz
- 14 dBm P1dB at 2 GHz
- 27 dBm OIP3 at 2 GHz
- MTTF > 100 Years
- Single Supply

## Description

The AST11L, a power amplifier MMIC, has a high linearity, high gain, and high efficiency over a wide range of frequency, being suitable for use in both receiver and transmitter of telecommunication systems up to 3.5 GHz. The amplifier is available in a SOT363 package and passes through the stringent DC, RF, and reliability tests.



Package Style: SOT363

## Typical Performance

(Supply Voltage = +5 V & +3 V, T<sub>A</sub> = +25 °C, Z<sub>o</sub> = 50 Ω)

Parameters	Units	Typical			
		170 ~ 240 DVB-T(V band)	478 ~ 862 DVB-T(U band)	900	2000
Frequency	MHz				
Gain	dB	14	15	18	13
S11	dB	-8.0	-9.0	-13.5	-14.0
S22	dB	-11	-9	-12	-11
Output IP3 <sup>1)</sup>	dBm	16.0	18.0	24.5	27.0
Noise Figure	dB	1.8	1.8	1.2	1.3
Output P1dB	dBm	5.0	6.5	13.0	14.0
Current	mA	13	13	25	25
Device Voltage	V	+4.4	+4.4	+2.9	+2.9

1) OIP3 is measured with two tones at an output power of -5 dBm/tone separated by 1 MHz.

## Application Circuit

- CDMA
- WCDMA
- DVB-T (V, U band)

## Product Specifications

Parameters	Units	Min	Typ	Max
Testing Frequency	MHz		2000	
Gain	dB	12	13	
S11	dB		-14	
S22	dB		-11	
Output IP3	dBm	23	27	
Noise Figure	dB		1.3	1.5
Output P1dB	dBm	11	14	
Current	mA	14	25	40
Device Voltage	V		+2.9	

## Absolute Maximum Ratings

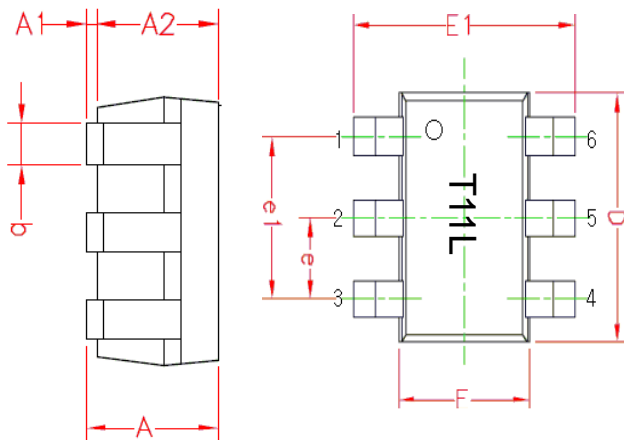
Parameters	Rating
Operating Case Temperature	-40 to +85 °C
Storage Temperature	-40 to +150 °C
Device Voltage	+5.5 V
Operating Junction Temperature	+150 °C
Input RF Power (CW, 50 Ω matched)*	+22 dBm
Thermal Resistance	192 °C/W

Please find the max. input power data from [http://www.asb.co.kr/pdf/Maximum\\_Input\\_Power\\_Analysis.pdf](http://www.asb.co.kr/pdf/Maximum_Input_Power_Analysis.pdf)

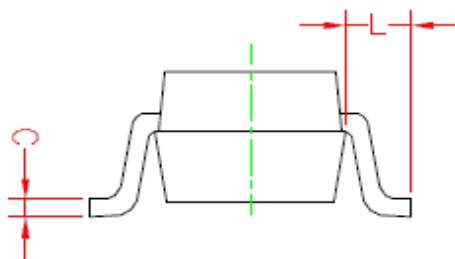
## Pin Configuration

Pin No.	Function
1,2,4,5	GND
3	RF IN
6	RF OUT & Bias

### Outline Drawing

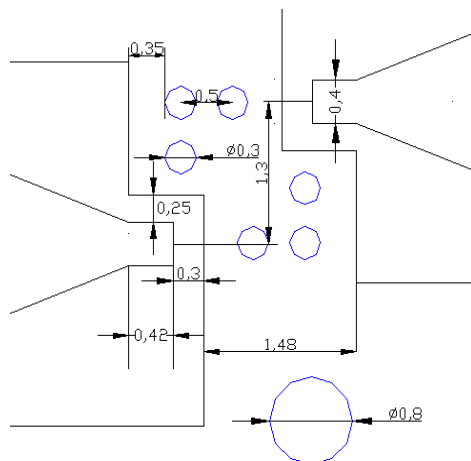


Symbols	Dimensions (In mm)		
	MIN	NOM	MAX
A	0.900	1.000	1.10
A1	0.025	0.062	0.10
A2	0.875	0.937	1.00
b	0.200	0.300	0.40
C	0.100	0.125	0.15
D	1.900	2.000	2.10
F	1.150	1.250	1.35
E1	2.000	2.100	2.20
e	--	0.65BSC	--
e1	--	1.30BSC	--
L	--	0.425REF	--



Pin NO.	Function	Pin NO.	Function.
1	GND	4	GND
2	GND	5	GND
3	RF IN	6	RF OUT & Bias

### Mounting Recommendation (In mm)



- Note:**
1. The number and size of ground via holes in a circuit board is critical for thermal and RF grounding considerations.
  2. We recommend that the ground via holes be placed on the bottom of lead pin 2 for better RF and thermal performance, as shown in the drawing at the left side.

### ESD Classification & Moisture Sensitivity Level

#### ESD Classification

HBM Class 0

MM Class A

CAUTION: ESD-sensitive device!

#### Moisture Sensitivity Level

Level 3 at 260 °C reflow

### APPLICATION CIRCUIT

CDMA

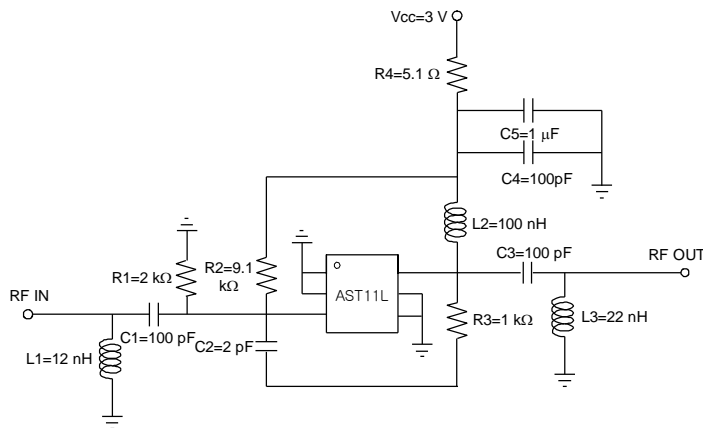
824 ~ 894 MHz

+3 V

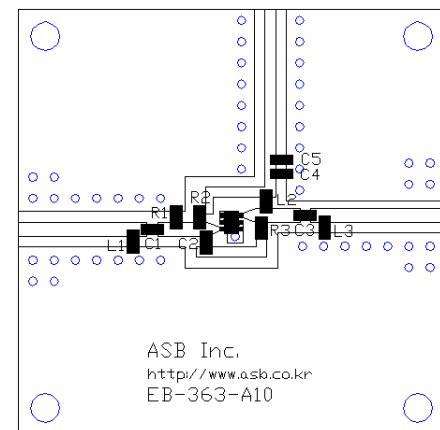
Frequency (MHz)	824~894
Magnitude S21 (dB)	18
Magnitude S11 (dB)	-13.5
Magnitude S22 (dB)	-12
Output P1dB (dBm)	13
Output IP3 <sup>1)</sup> (dBm)	24.5
Noise Figure (dB)	1.2
Device Voltage (V)	+3
Current (mA)	25

1) OIP3 is measured with two tones at an output power of -5 dBm/tone separated by 1 MHz.

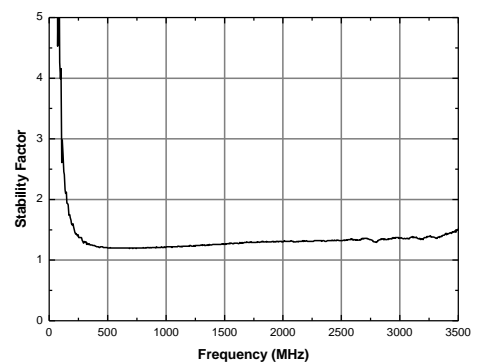
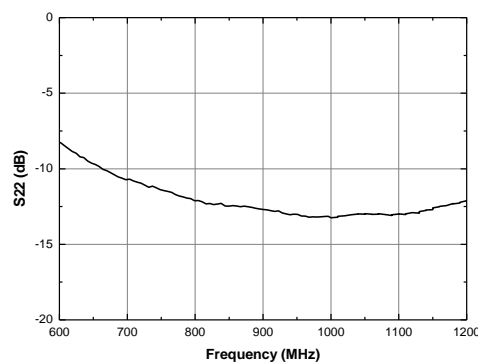
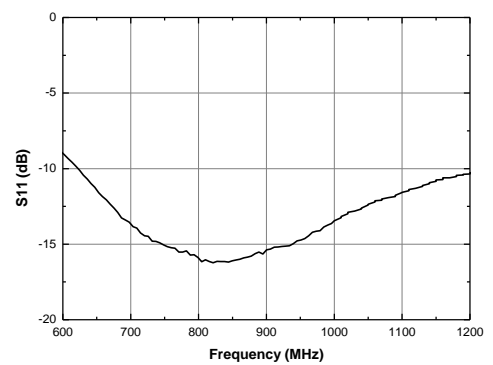
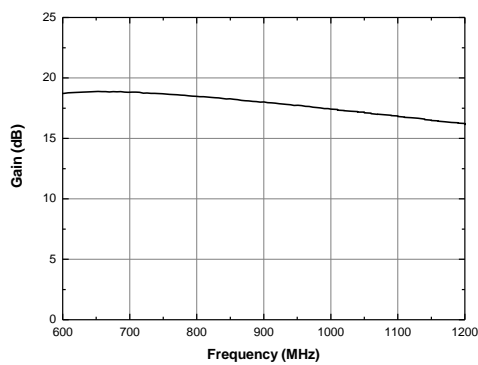
### Schematic



### Board Layout (FR4, 40x40 mm<sup>2</sup>, 0.8T)



### S-parameters & K-factor



### APPLICATION CIRCUIT

WCDMA

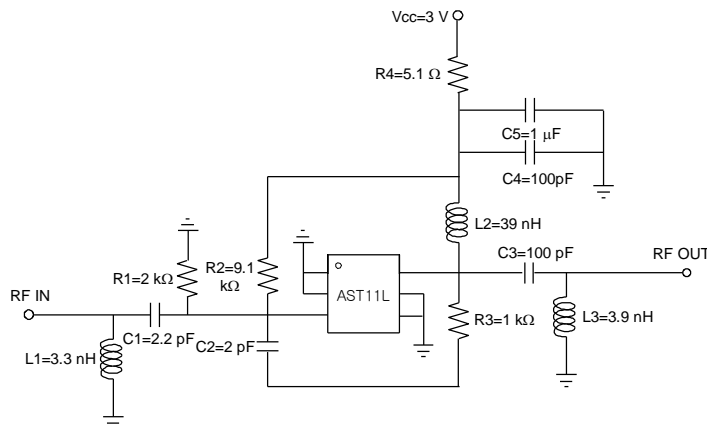
1920 ~ 2170 MHz

+3 V

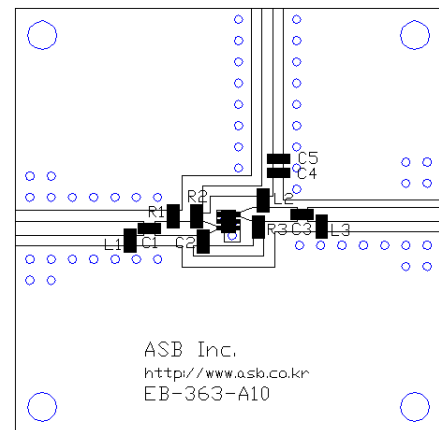
Frequency (MHz)	1920~2170
Magnitude S21 (dB)	13
Magnitude S11 (dB)	-14
Magnitude S22 (dB)	-11
Output P1dB (dBm)	14
Output IP3 <sup>1)</sup> (dBm)	27
Noise Figure (dB)	1.3
Device Voltage (V)	+3
Current (mA)	25

1) OIP3 is measured with two tones at an output power of -5 dBm/tone separated by 1 MHz.

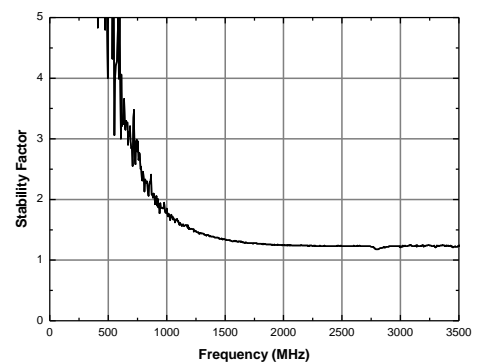
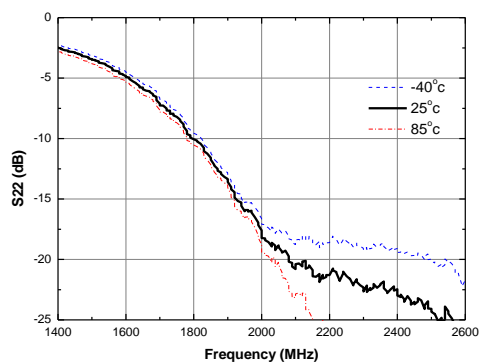
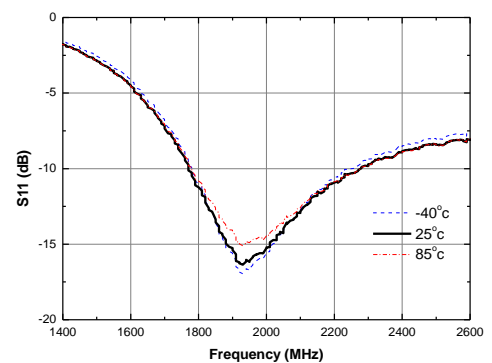
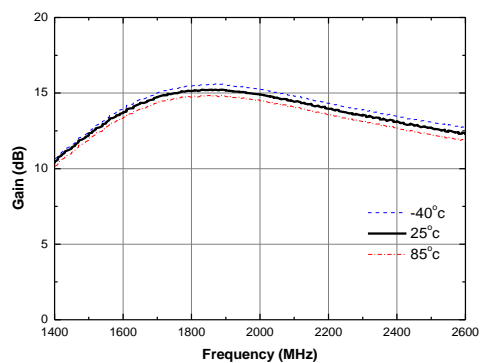
### Schematic



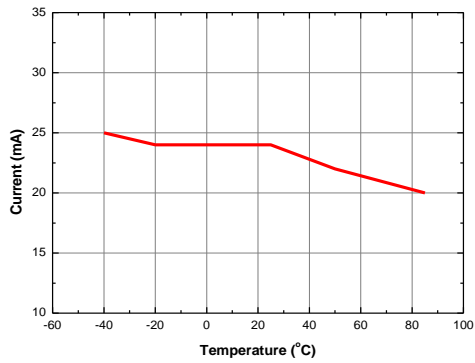
### Board Layout (FR4, 40x40 mm<sup>2</sup>, 0.8T)



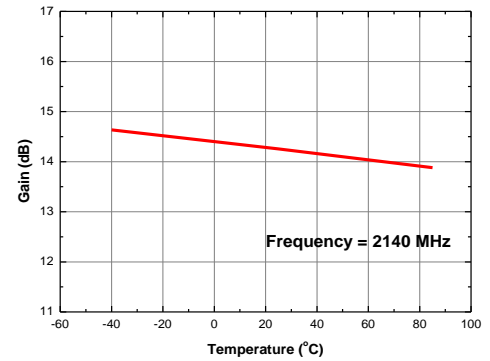
### S-parameters & K-factor



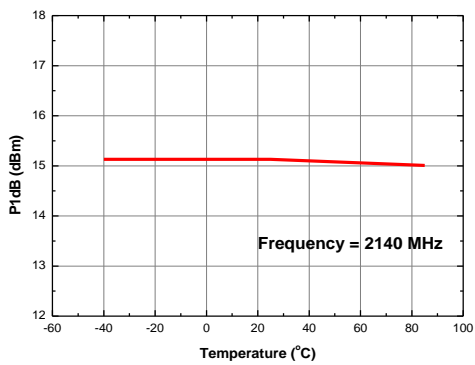
### Current vs. Temperature



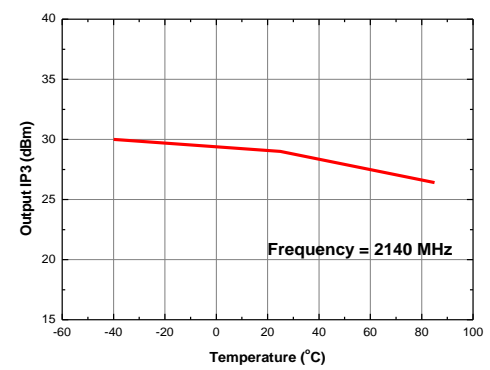
### Gain vs. Temperature



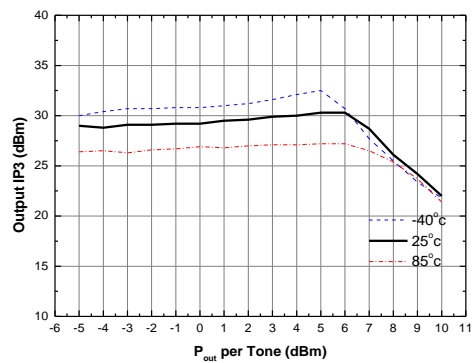
### P1dB vs. Temperature



### Output IP3 vs. Temperature



### Output IP3 vs. Tone Power (Frequency = 2140 MHz)



### APPLICATION CIRCUIT

DVB-T(V Band)

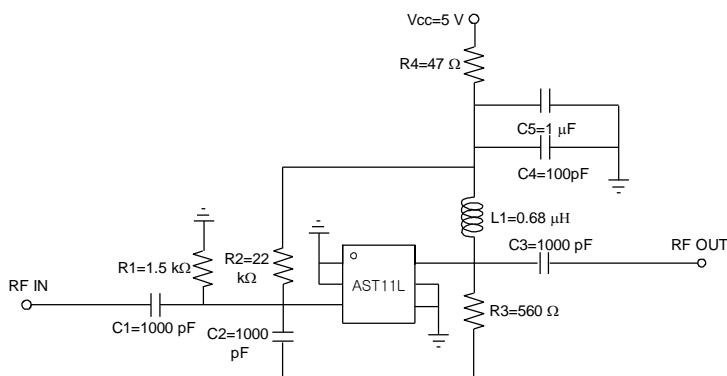
170 ~ 240 MHz

+5 V

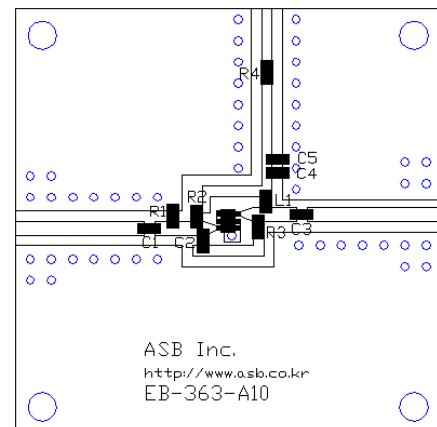
Frequency (MHz)	170	240
Magnitude S21 (dB)	14	14
Magnitude S11 (dB)	-9	-8
Magnitude S22 (dB)	-11	-11
Output P1dB (dBm)	5.0	5.5
Output IP3 <sup>1)</sup> (dBm)	16.0	16.5
Noise Figure (dB)	1.8 (@380 MHz)	
Device Voltage (V)	+5	+5
Current (mA)	13	13

1) OIP3 is measured with two tones at an output power of -5 dBm/tone separated by 1 MHz.

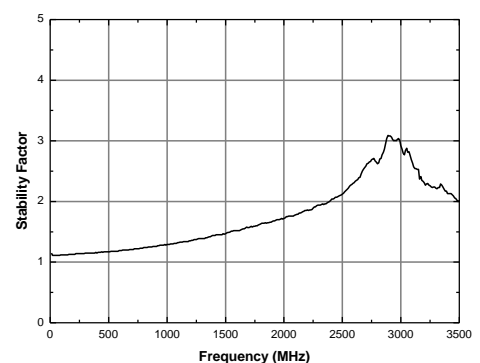
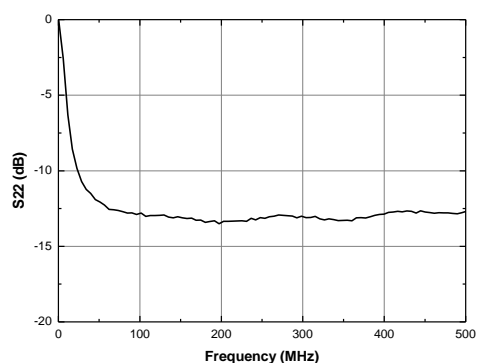
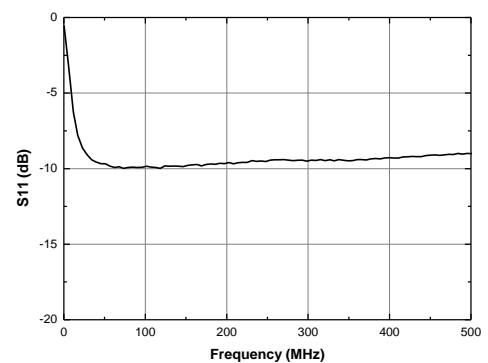
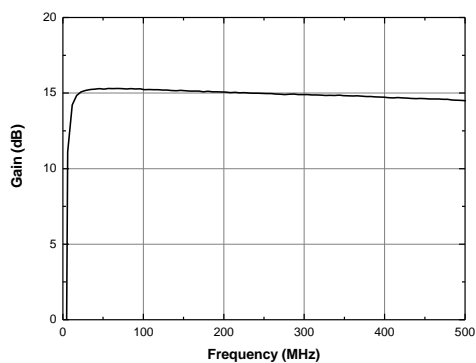
### Schematic



### Board Layout (FR4, 40x40 mm<sup>2</sup>, 0.8T)



### S-parameters & K-factor



### APPLICATION CIRCUIT

DVB-T(U Band)

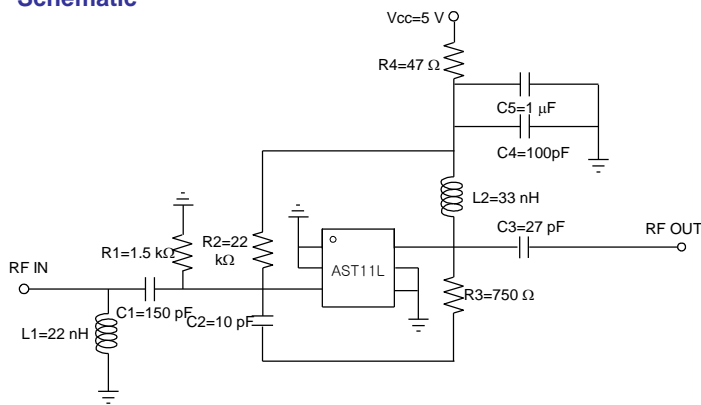
478 ~ 862 MHz

+5 V

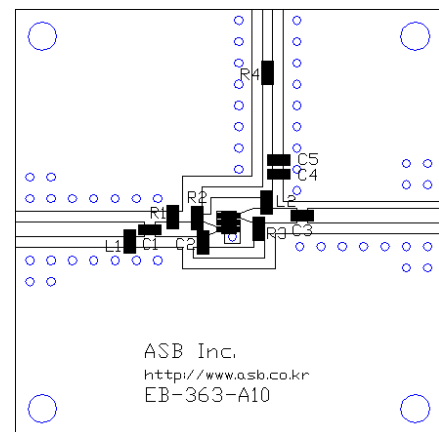
Frequency (MHz)	478	862
Magnitude S21 (dB)	16	15
Magnitude S11 (dB)	-9	-10
Magnitude S22 (dB)	-9	-9
Output P1dB (dBm)	6.5	6.5
Output IP3 <sup>1)</sup> (dBm)	18.5	18.5
Noise Figure (dB)	1.8	1.6
Device Voltage (V)	+5	+5
Current (mA)	13	13

1) OIP3 is measured with two tones at an output power of -5 dBm/tone separated by 1 MHz.

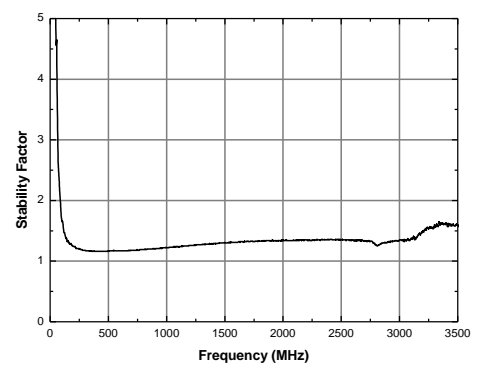
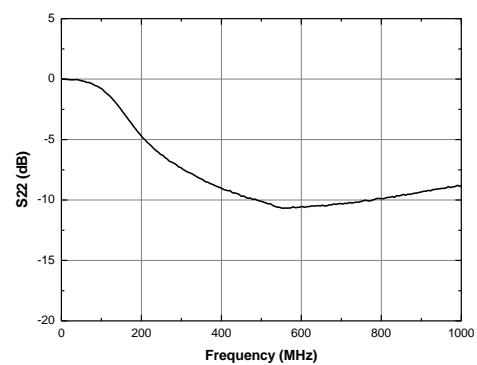
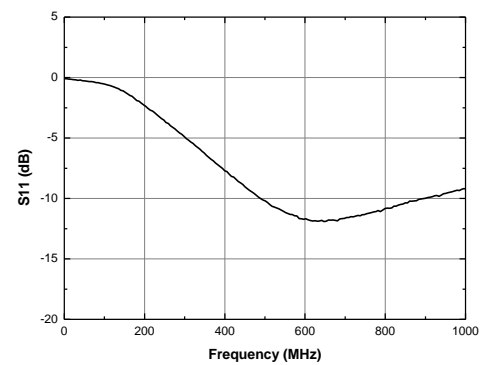
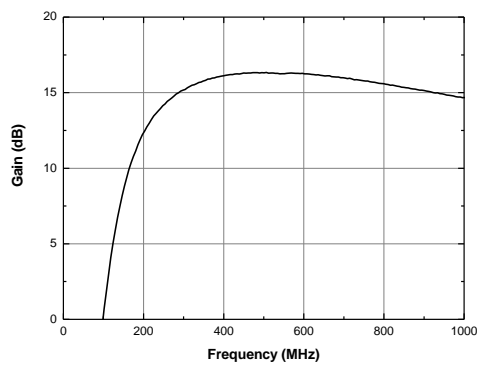
### Schematic



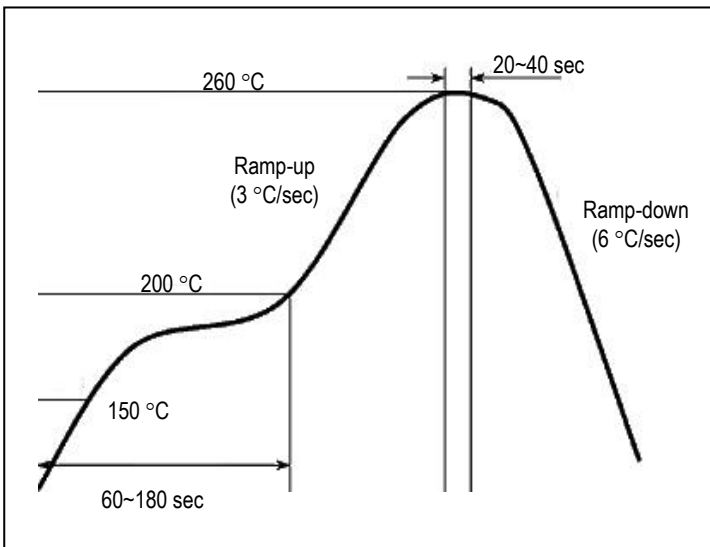
### Board Layout (FR4, 40x40 mm<sup>2</sup>, 0.8T)



### S-parameters & K-factor



Recommended Soldering Reflow Profile



Copyright ©2007-2017 ASB Inc. All rights reserved. Datasheet subject to change without notice. ASB assumes no responsibility for any errors which may appear in this datasheet. No part of the datasheet may be copied or reproduced in any form or by any means without the prior written consent of ASB.